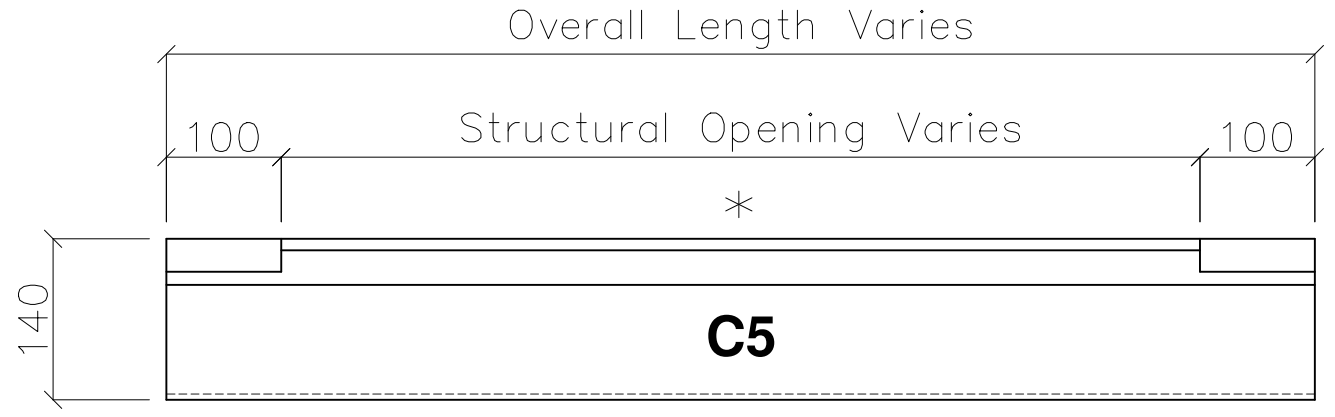
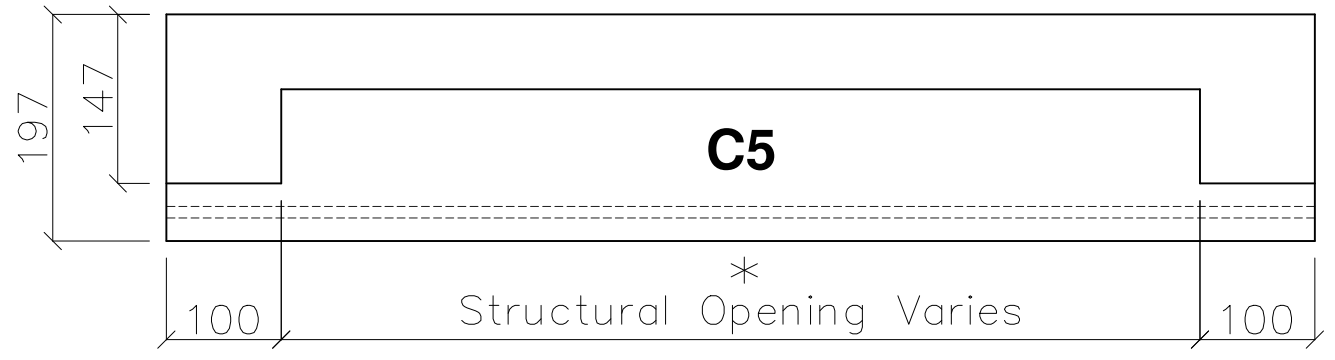


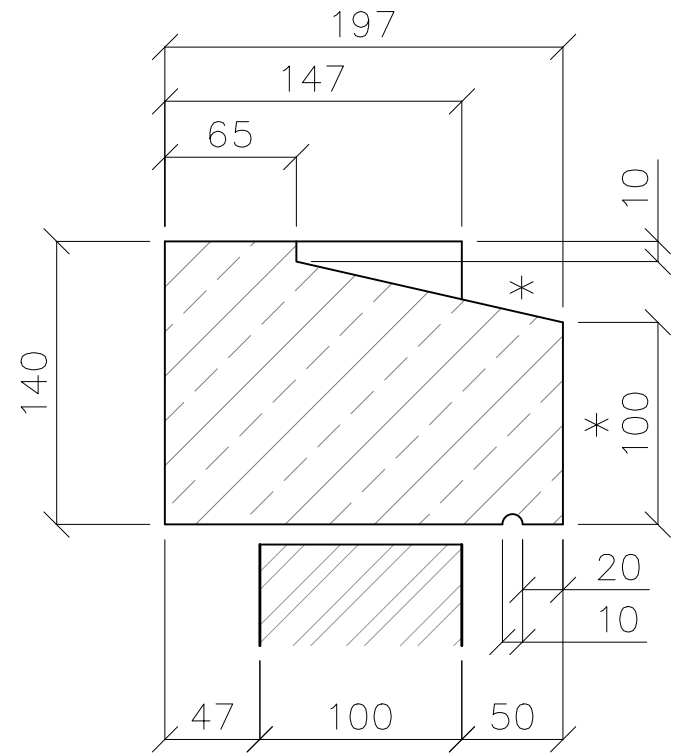
**C5 STOOLED CILL FOR SLIDING SASH WINDOW - TECHNICAL DATA SHEET**



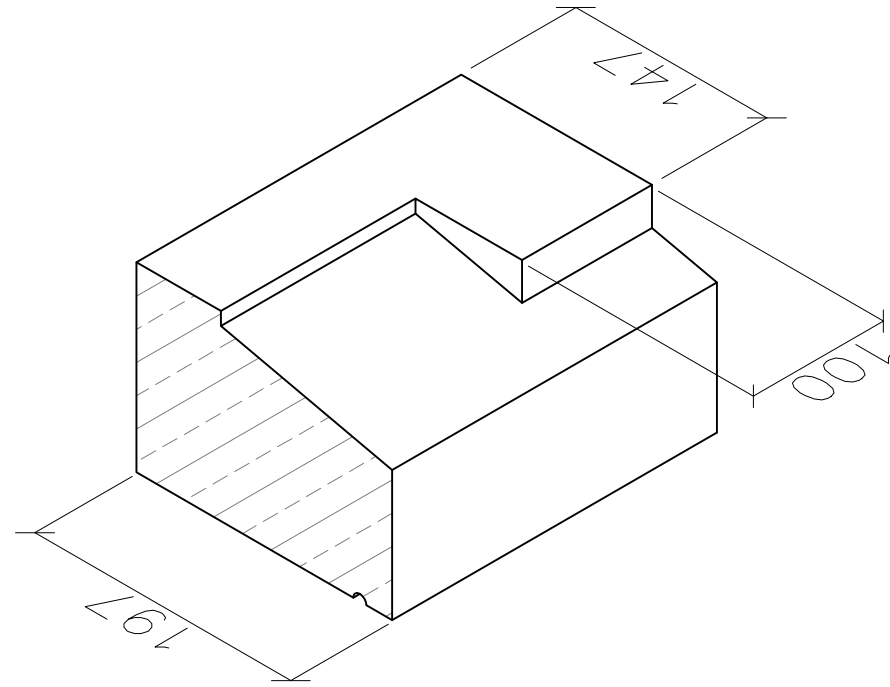
**Front Elevation**  
\* denotes SEEN FACES



**Plan View**  
\* denotes SEEN FACES



**Section**  
\* denotes SEEN FACES



**Product Specification**

**Wetcast Stone**  
**Strength:** >45N/mm<sup>2</sup>  
**Typical Density:** 2500Kg/m<sup>3</sup>  
**Drying Shrinkage:** <0.04%  
**Water Absorption:** 0.09mg/mm<sup>2</sup>

**Semi Dry Stone**  
**Strength:** >28N/mm<sup>2</sup>  
**Typical Density:** 2000Kg/m<sup>3</sup>  
**Drying Shrinkage:** <0.04%  
**Water Absorption:** 0.95mg/mm<sup>2</sup>

SEMI DRY - Maximum length in 1 piece = 1200mm  
 WETCAST - Maximum length in 1 piece = 1500mm



BRICKS & STONE MASONRY

Project/Site Address:

**TECHNICAL DATA SHEET**

Drawing Title:  
**C5 STOOLED CILL FOR SLIDING SASH WINDOW**

Drawn: JJB | Date: 06/2017 | Scale: NTS

Drawing Ref: **SSP-005** | Rev: **0**