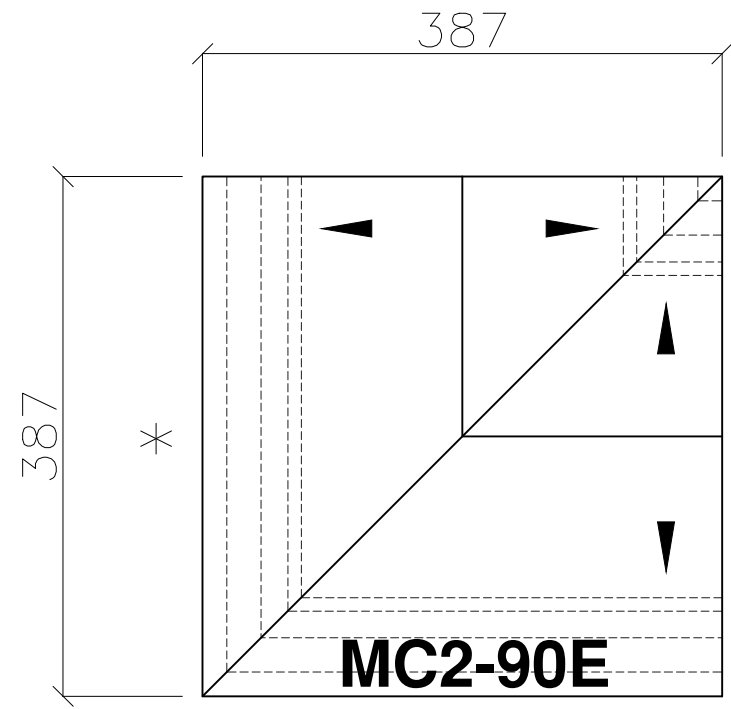
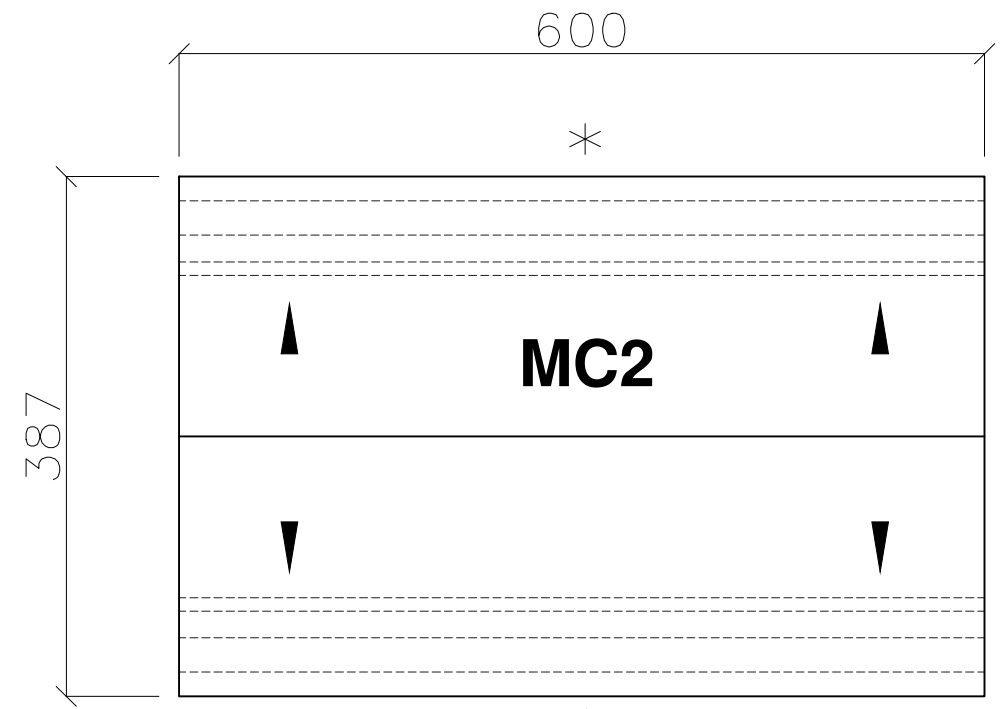


MC2 MOULDED TWICE WEATHERED CAPPING - TECHNICAL DATA SHEET



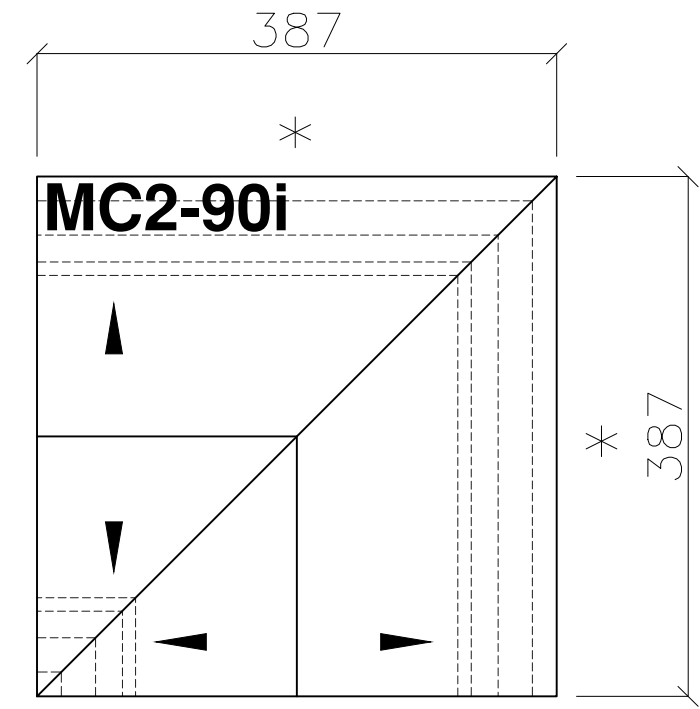
Plan View

* denotes SEEN FACES



Plan View

* denotes SEEN FACES



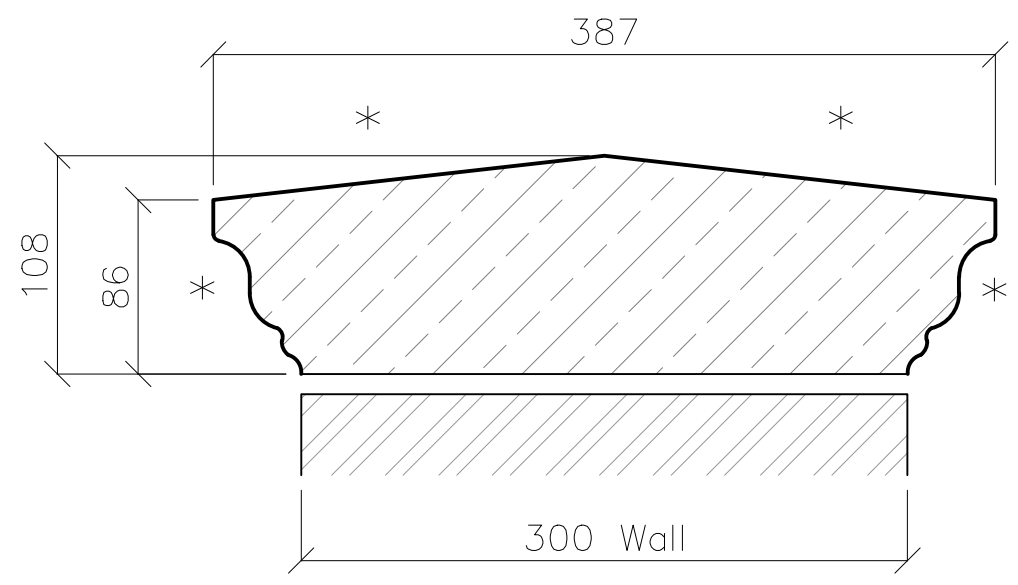
Plan View

* denotes SEEN FACES

Product Specification

Wetcast Stone
 Strength: >45N/mm²
 Typical Density: 2500Kg/m³
 Drying Shrinkage: <0.04%
 Water Absorption: 0.09mg/mm²

Semi Dry Stone
 Strength: >28N/mm²
 Typical Density: 2000Kg/m³
 Drying Shrinkage: <0.04%
 Water Absorption: 0.95mg/mm²



Section

* denotes SEEN FACES

