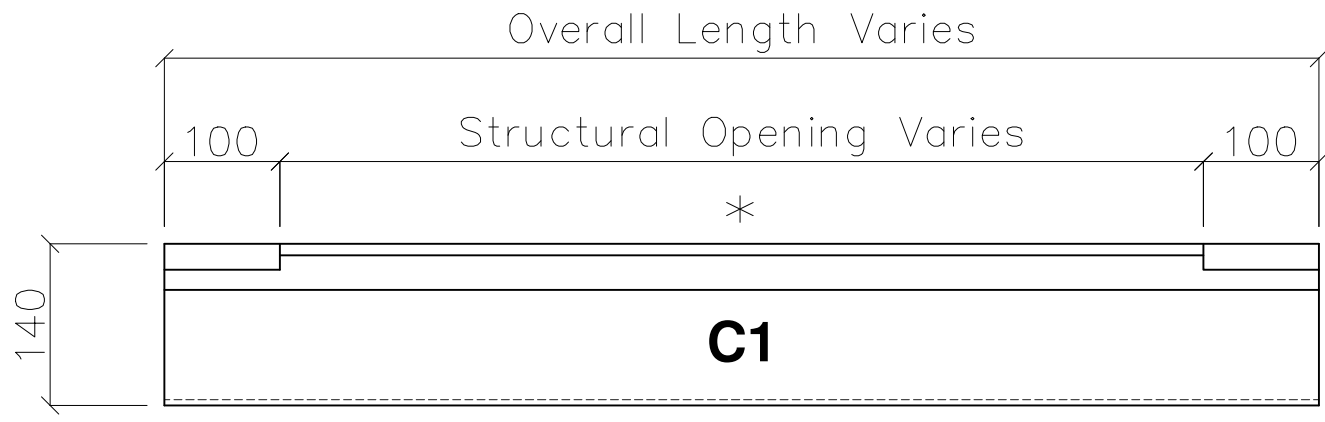
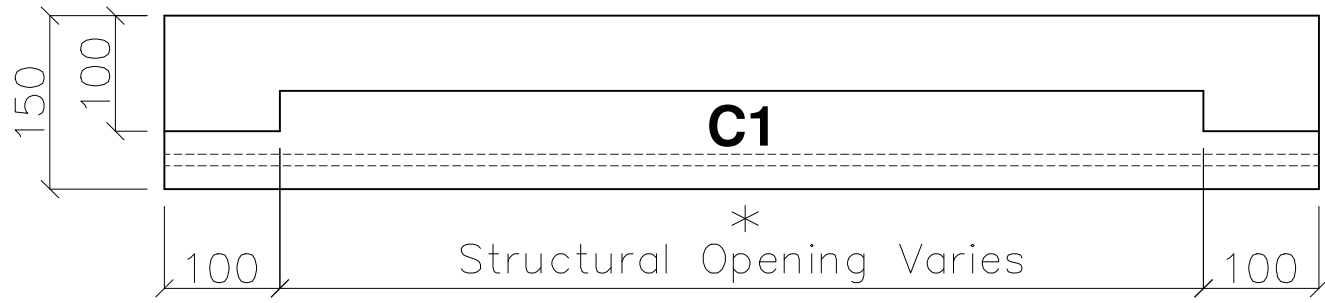


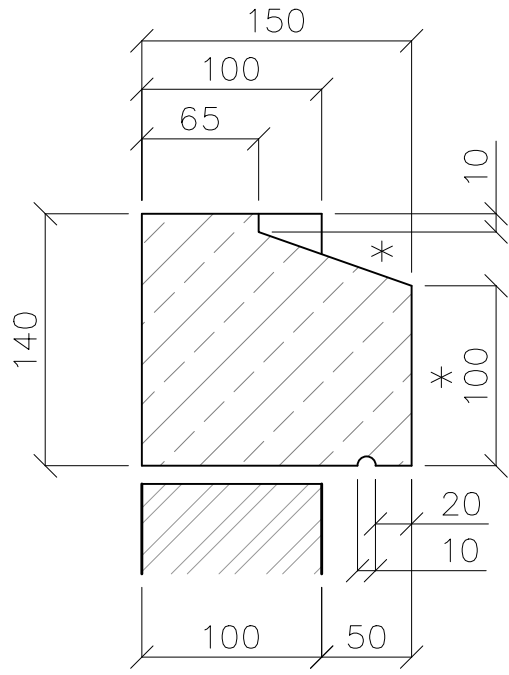
C1 STOOLED CILL FOR BRICKWORK - TECHNICAL DATA SHEET



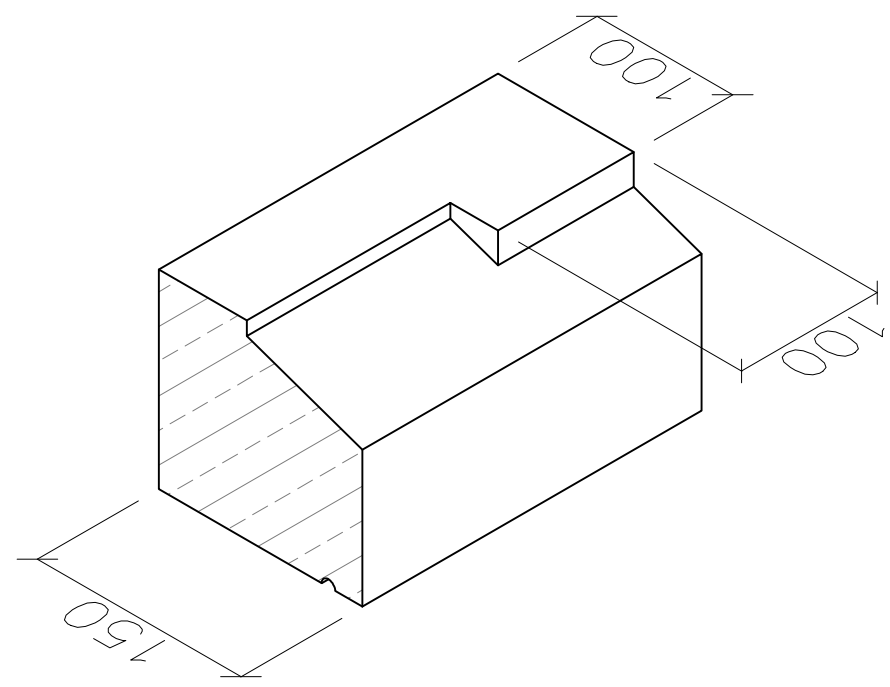
Front Elevation
* denotes SEEN FACES



Plan View
* denotes SEEN FACES



Section
* denotes SEEN FACES



Product Specification

Wetcast Stone
Strength: >45N/mm²
Typical Density: 2500Kg/m³
Drying Shrinkage: <0.04%
Water Absorption: 0.09mg/mm²

Semi Dry Stone
Strength: >28N/mm²
Typical Density: 2000Kg/m³
Drying Shrinkage: <0.04%
Water Absorption: 0.95mg/mm²

SEMI DRY - Maximum length in 1 piece = 1200mm
 WETCAST - Maximum length in 1 piece = 1500mm



BRICKS & STONE MASONRY

Project/Site Address:

TECHNICAL DATA SHEET

Drawing Title:
C1 STOOLED CILL FOR BRICKWORK

Drawn: JJB | Date: 08/2017 | Scale: NTS

Drawing Ref: **SSP-001** | Rev: **0**